



HARDWARE INCLUDED:
OVERSPEED SWITCH.

EVERY OVERSPEED GOVERNOR IS TESTED, PRESET AND SEALED
BEFORE LEAVING THE FACTORY.

SERIES ZSG DOES NOT INCLUDE A BASE SUPPORT.

ALTERNATIVE SUPPLIER PART#	RATED SPEED (FPM)	TRIP SPEED (FPM)	SHEAVE DIAMETER (IN)	ROPE TYPE	PULL THROUGH (LBS)	SHIPPING WEIGHT (LBS)
ZSG125	100	175	12	3/8" 8x19	330-550	75
ZSG150	150	210	12	3/8" 8x19	330-550	75
ZSG200	200	280	12	3/8" 8x19	330-550	75
ZSG250	250	337	12	3/8" 8x19	330-550	75
ZSG300	300	395	12	3/8" 8x19	330-550	75
ZSG350	350	452	12	3/8" 8x19	330-550	75
ZSG400	400	510	12	3/8" 8x19	330-550	75

Copyright - All information contained in this drawing is property of Hyperion Solutions

DRAWING NO: ZSG SERIES		Sheet 1 of 2	
DESCRIPTION: 12" STANDARD OVERSPEED GOVERNOR DRAWING - ZSG SERIES			
		MATERIALS: ASSEMBLY	Scale: NTS
All Dimensions are in mm [Inches]			
Date	Rev.	ECO #	Des/App
10/03/22	-	-	JY/SY

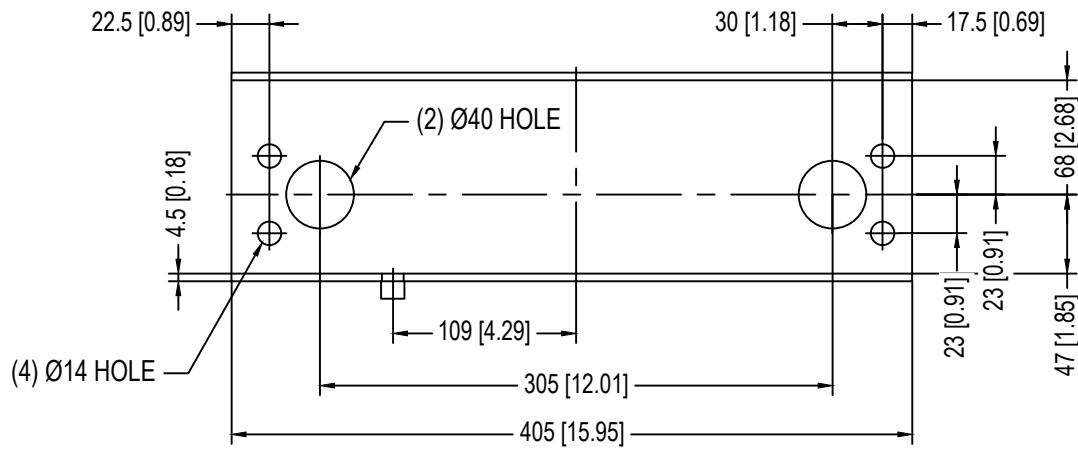
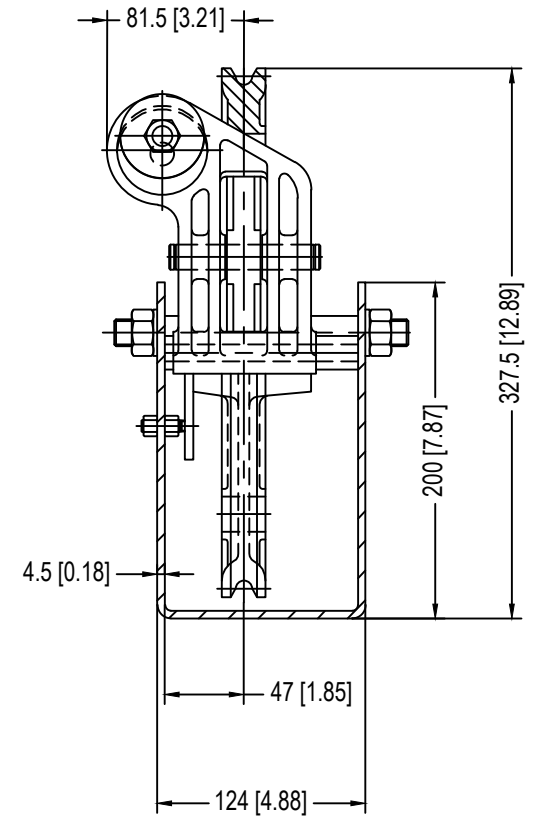
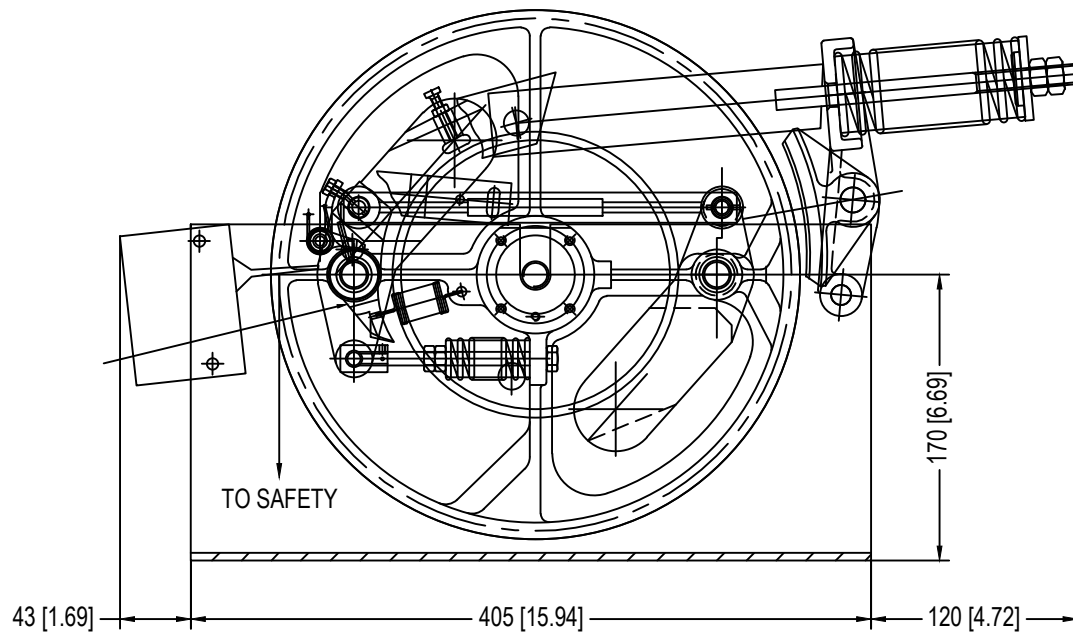
GENERAL TOLERANCES:
 >6-30mm: ±0.2 [0.008]
 >30-120mm: ±0.3 [0.012]
 >120-400mm: ±0.5 [0.020]
 >400-1000mm: ±0.8 [0.031]
 >1000-2000mm: ±1.2 [0.047]



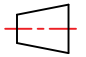

www.hyperion-solutions.com
 4949 E. Raines Road #101
 Memphis, TN 38118 Phone:
 1-877-622-2888 Fax:
 901-290-1680

UNLESS SHOWN OTHERWISE

A B C D E



Copyright - All information contained in this drawing is property of Hyperion Solutions

DRAWING NO: ZSG SERIES		Sheet 2 of 2	
DESCRIPTION: 12" STANDARD OVERSPEED GOVERNOR DRAWING - ZSG SERIES			
		MATERIALS: ASSEMBLY	Scale: NTS
All Dimensions are in mm [Inches]			
Date	Rev.	ECO #	Des/App
10/03/22	-	-	JY/SY

GENERAL TOLERANCES:
 >6-30mm: ±0.2 [0.008]
 >30-120mm: ±0.3 [0.012]
 >120-400mm: ±0.5 [0.020]
 >400-1000mm: ±0.8 [0.031]
 >1000-2000mm: ±1.2 [0.047]



www.hyperion-solutions.com
 4949 E. Raines Road #101
 Memphis, TN 38118 Phone:
 1-877-622-2888 Fax:
 901-290-1680

UNLESS SHOWN OTHERWISE